



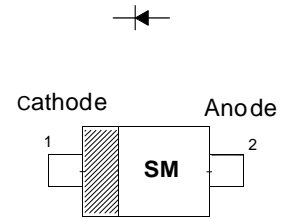
B16W Plastic-Encapsulate Diodes

Schottky Barrier Diode

FEATURES

- Guard ring protection
- Low forward voltage drop
- For use in low voltage, high frequency inverters
- High surge current capability

Marking: SM



SOD-123

MAXIMUM RATINGS(Ta=25°C unless otherwise noted)

Symbol	Parameter	Value	Unit
V_{RRM}	Maximum recurrent peak reverse voltage	60	V
V_{RMS}	Maximum RMS voltage	42	
V_{DC}	Maximum DC blocking voltage	60	
I_F	Continuous forward current	1	A
I_{FSM}	Non-repetitive Peak forward surge current@t=8.3ms	10	
P_{tot}	Total power dissipation	250	mW
$R_{\theta JA}$	Thermal resistance junction to ambient air	400	°C/W
T_J	Junction temperature	125	°C
T_{stg}	storage temperature	-55~+150	°C

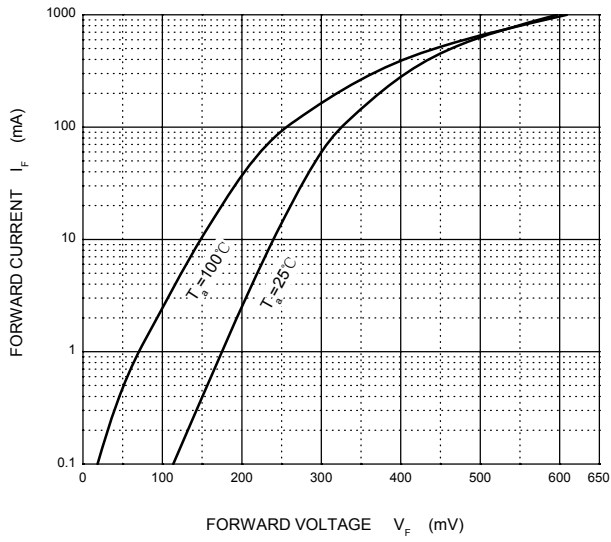
ELECTRICAL CHARACTERISTICS(Ta=25°C unless otherwise specified)

Parameter	Symbol	Test conditions	Min	Typ	Max	Unit
Maximum instantaneous forward voltage	V_F	$I_F=1A$			0.7	V
Maximum DC reverse current at rated DC blocking voltage	I_R	$V_R=60V$			0.1	mA
Total capacitance	C_{tot}	$V_R=4V, f=1MHz$			120	pF

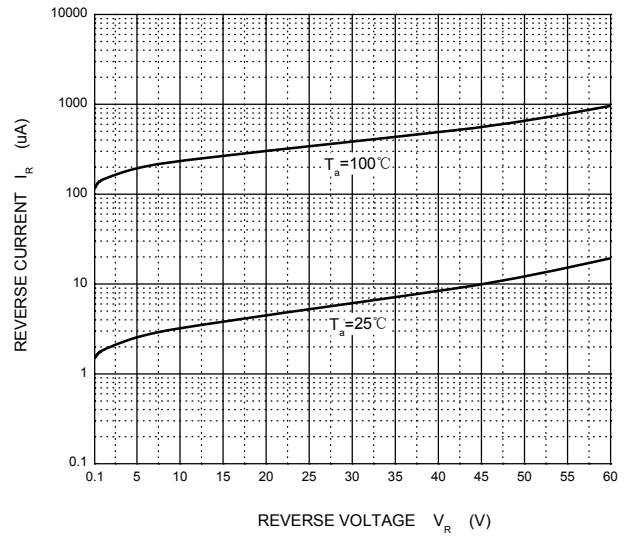


Typical Characteristics

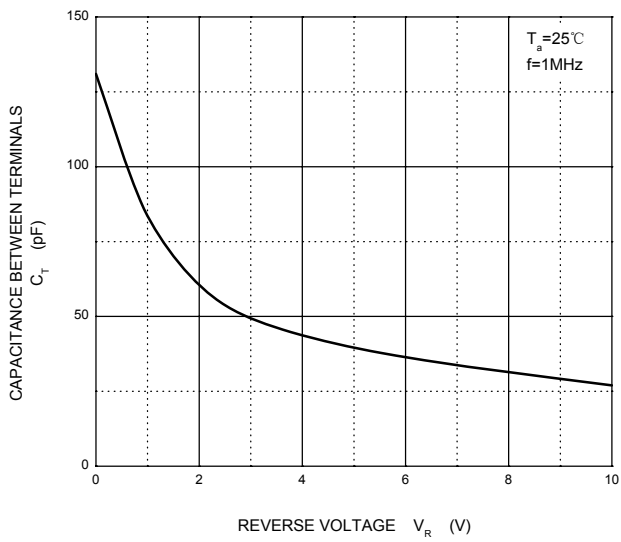
Forward Characteristics



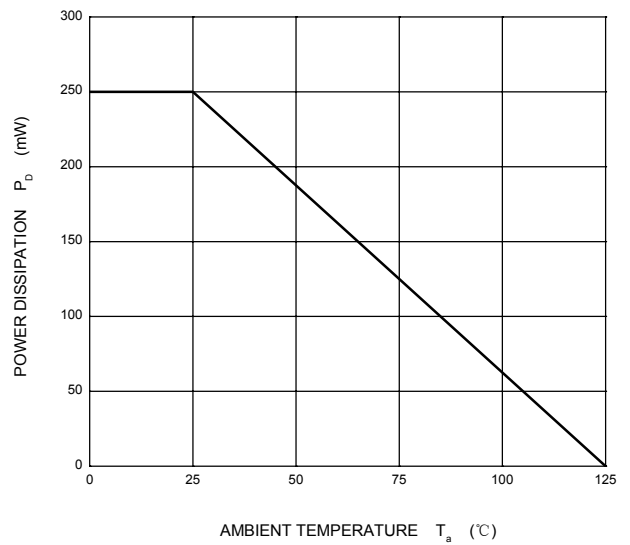
Reverse Characteristics



Capacitance Characteristics



Power Derating Curve

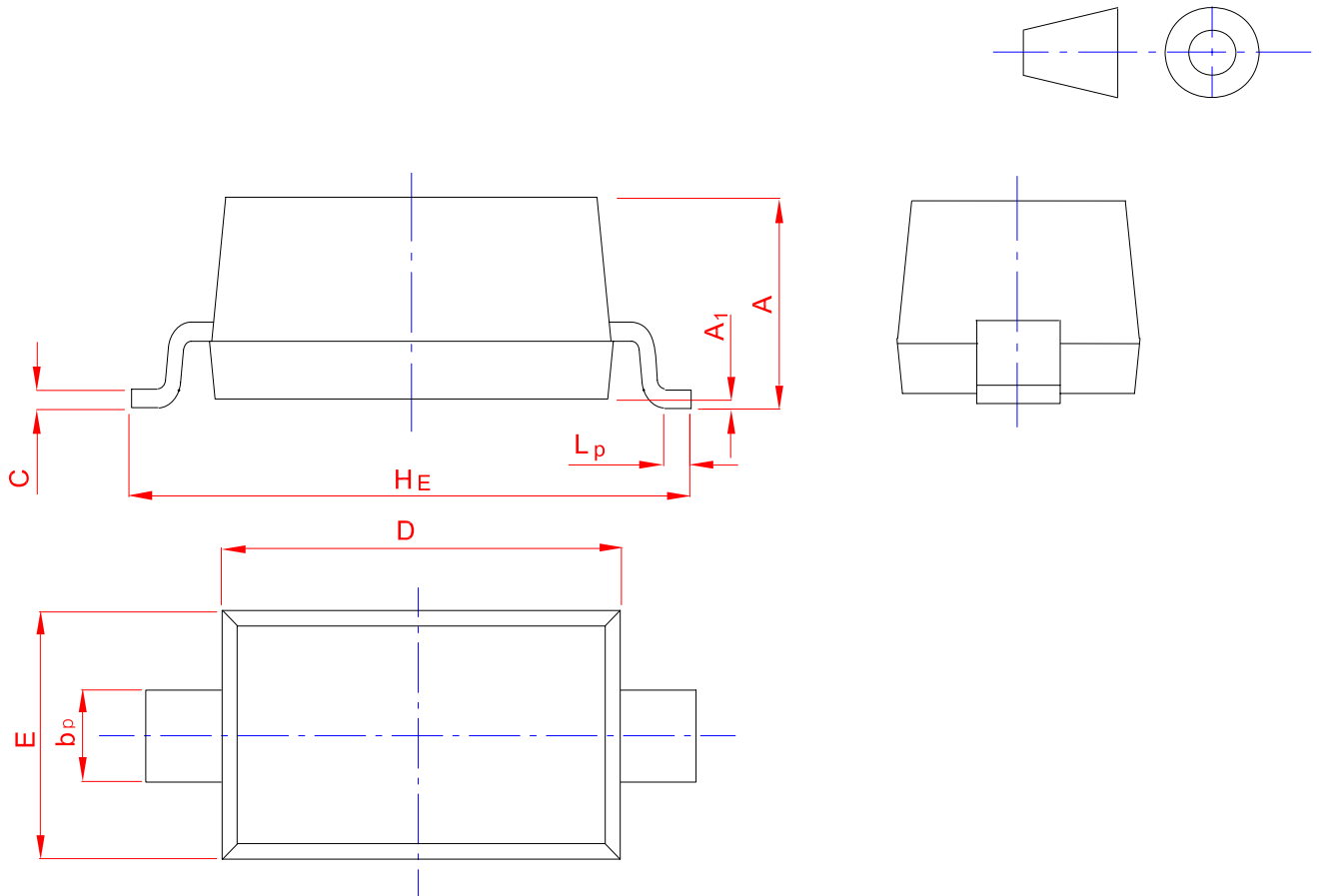




PACKAGE OUTLINE

Plastic surface mounted package; 2 leads

SOD-123



UNIT	A	bp	C	D	E	HE	A1	Lp
mm	1.20	0.60	0.135	2.75	1.65	3.85	0.10	0.50
	0.90	0.50	0.100	2.55	1.55	3.55	0.01	0.20